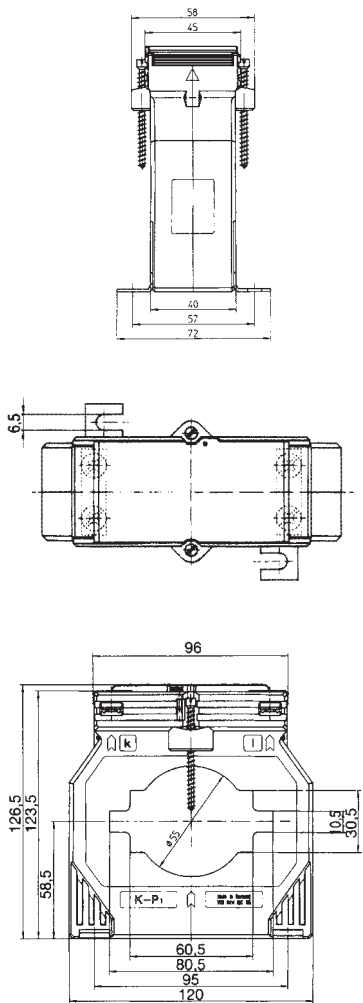




EASK 81.4

Plug-in current transformer

Approved current transformer for tariff applications



Secondary current		5A			1A	
Primary current A	Burden VA	Accuracy class			Accuracy class	
		0.5	0.5s	0.2	0.5	0.2
		Art.-no.	Art.-no.	Art.-no.	Art.-no.	Art.-no.
400	2.5	21541	21571	21511	21741	21711
	5	21542	21572	21512	21742	21712
	10	21543	21573		21743	
500	2.5	21544	21574	21514	21744	21714
	5	21545	21575	21515	21745	21715
	10	21546	21576	21516	21746	21716
600	2.5	21547	21577	21517	21747	21717
	5	21548	21578	21518	21748	21718
	10	21549	21579	21519	21749	21719
	15	21550	21580	21520		
750	2.5	21551	21581	21521	21751	21721
	5	21552	21582	21522	21752	21722
	10	21553	21583	21523	21753	21723
	15	21554	21584	21524		
1000	2.5	21555	21585	21525		
	5	21556	21586	21526	21756	21726
	10	21557	21587	21527	21757	21727
	15	21558	21588	21528	21758	
1200	5	21560	21590	21530	21760	21730
	10	21561	21591	21531	21761	21731
	15	21562	21592	21532	21762	
1250	5	21564	21594	21534	21764	21734
	10	21565	21595	21535	21765	21735
	15	21566	21596	21536	21766	21736
1500	2.5	21567	21597	21537		
	5	21568	21598	21538	21768	21738
	10	21569	21599	21539	21769	21739
	15	21570	21600	21540	21770	21740

Primary conductor	80 x 10 mm 60 x 30 mm 2 x 60 x 10 mm
Round conductor	Ø 55 mm
Transformer width	120 mm
Snap-on mounting	-
Sealed shutter	Art.-no. 59042 see page 205
Current transformer for industrial applications	see page 75