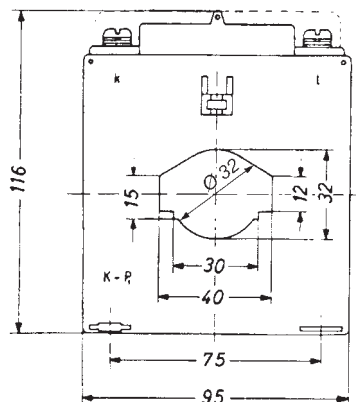
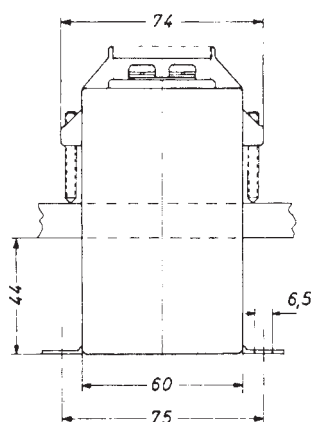




EASK 41.6

Plug-in current transformer

Approved current transformer for tariff applications



Secondary current		5A			1A	
Primary current A	Burden VA	Accuracy class			Accuracy class	
		0.5	0.5s	0.2	0.5	0.2
		Art.-no.	Art.-no.	Art.-no.	Art.-no.	Art.-no.
75	2.5	14552	14595		14752	
	5	14553	14596		14753	
100	2.5	14554	14597	14513	14754	14713
	5	14555	14598		14755	
	10	14556	14599		14756	
150	2.5	14557	14600	14516	14757	14716
	5	14558	14601	14517	14758	14717
	10	14559	14602		14759	
	15	14560	14603		14760	
200	2.5	14561	14604	14520	14761	14720
	5	14562	14605	14521	14762	14721
	10	14563	14606	14522	14763	14722
	15	14564	14607		14764	
250	2.5	14565	14608	14524	14765	14724
	5	14566	14609	14525	14766	14725
	10	14567	14610	14526	14767	14726
	15	14568	14611		14768	
300	2.5	14569	14612	14528	14769	14728
	5	14570	14613	14529	14770	14729
	10	14571	14614	14530	14771	14730
	15	14572	14615	14531	14772	14731
400	2.5	14573	14616	14532	14773	14732
	5	14574	14617	14533	14774	14733
	10	14575	14618	14534	14775	14734
	15	14576	14619	14535	14776	14735
500	2.5	14577	14620	14536	14777	14736
	5	14578	14621	14537	14778	14737
	10	14579	14622	14538	14779	14738
	15	14580	14623	14539	14780	14739
600	2.5	14581	14624	14540	14781	14740
	5	14582	14625	14541	14782	14741
	10	14583	14626	14542	14783	14742
	15	14584	14627	14543	14784	14743
	30	14585	14628			
750	2.5	14586	14629	14544	14786	14744
	5	14587	14630	14545	14787	14745
	10	14588	14631	14546	14788	14746
	15	14589	14632	14547	14789	14747
	30	14590	14633			
1000	5	14591	14634	14548	14791	14748
	10	14592	14635	14549	14792	14749
	15	14593	14636	14550	14793	14750
	30	14594	14637			

Primary conductor	40 x 12 mm 30 x 15 mm
Round conductor	Ø 32 mm
Transformer width	95 mm
Snap-on mounting	-
Sealed shutter	Art.-no. 59044 see page 205
Current transformer for industrial applications	see page 61
Protection plug-in current transformers	see page 134