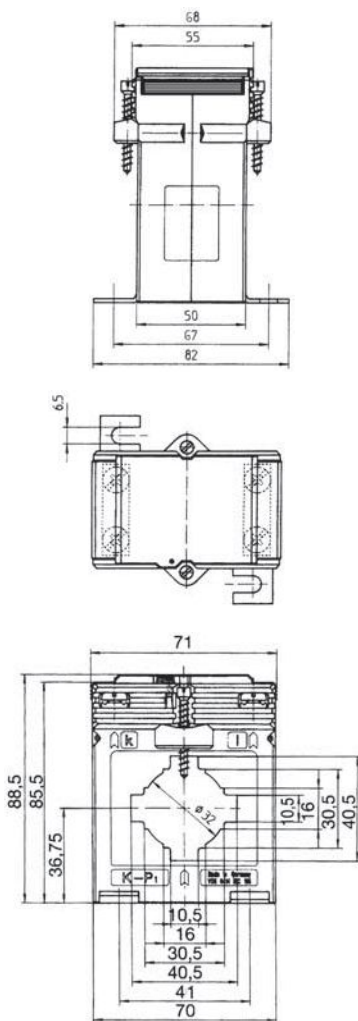




EASK 41.5

Plug-in current transformer

Approved current transformer for tariff applications



Secondary current		5A			1A	
Primary current A	Burden VA	Accuracy class			Accuracy class	
		0.5	0.5s	0.2	0.5	0.2
		Art.-no.	Art.-no.	Art.-no.	Art.-no.	Art.-no.
75	2,5	1010505001			1010705001	
80	2,5	1010505002			1010705002	
100	1,5	1010505003	1010504001	1010503001	1010705003	1010703001
	2,5	1010505004	1010504002		1010705004	1010703002
150	2,5	1010505005	1010504003	1010503002	1010705005	1010703003
	5	1010505006	1010504004		1010705006	1010703004
	10					
200	1,5			1010503003		1010703005
	2,5	1010505007	1010504005	1010503033	1010705007	1010703034
	5	1010505008	1010504006	1010503004	1010705008	1010703006
	10				1010705009	
250	2,5	1010505009	1010504007	1010503005	1010705010	1010703007
	5	1010505010	1010504008	1010503006	1010705011	1010703008
	10	1010505011	1010504009	1010503007	1010705012	
300	2,5	1010505012	1010504010	1010503008	1010705013	1010703009
	5	1010505013	1010504011	1010503009	1010705014	1010703010
	10	1010505014	1010504012	1010503010	1010705015	1010703011
	15	1010505015	1010504013		1010705016	
400	2,5	1010505016	1010504014	1010503011	1010705017	1010703012
	5	1010505017	1010504015	1010503012	1010705018	1010703013
	10	1010505018	1010504016	1010503013	1010705019	1010703014
	15	1010505019	1010504017		1010705020	
500	2,5	1010505020	1010504018	1010503014	1010705021	1010703015
	5	1010505021	1010504019	1010503015	1010705022	1010703016
	10	1010505022	1010504020	1010503016	1010705023	1010703017
	15	1010505023	1010504021		1010705024	
600	2,5	1010505024	1010504022	1010503017	1010705025	1010703018
	5	1010505025	1010504023	1010503018	1010705026	1010703019
	10	1010505026	1010504024	1010503019	1010705027	1010703020
	15	1010505027	1010504025	1010503020	1010705028	1010703021
750	2,5	1010505028	1010504026	1010503021	1010705029	1010703022
	5	1010505029	1010504027	1010503022	1010705030	1010703023
	10	1010505030	1010504028	1010503023	1010705031	1010703024
	15	1010505031	1010504029	1010503024	1010705032	1010703025
800	2,5	1010505032	1010504030	1010503025	1010705033	1010703026
	5	1010505033	1010504031	1010503026	1010705034	1010703027
	10	1010505034	1010504032	1010503027	1010705035	1010703028
	15	1010505035	1010504033	1010503028	1010705036	1010703029
1000	2,5	1010505036	1010504034	1010503029	1010705037	1010703030
	5	1010505037	1010504035	1010503030	1010705038	1010703031
	10	1010505038	1010504036	1010503031	1010705039	1010703032
	15	1010505039	1010504037	1010503032	1010705040	1010703033

Primary conductor	40 x 10 mm 2 x 30 x 5 mm
Round conductor	Ø 32 mm
Transformer width	71 mm
Snap-on mounting	Art.-no. 55011 see page 204
Sealed shutter	Art.-no. 59041 see page 205
Current transformer for industrial applications	see page 58