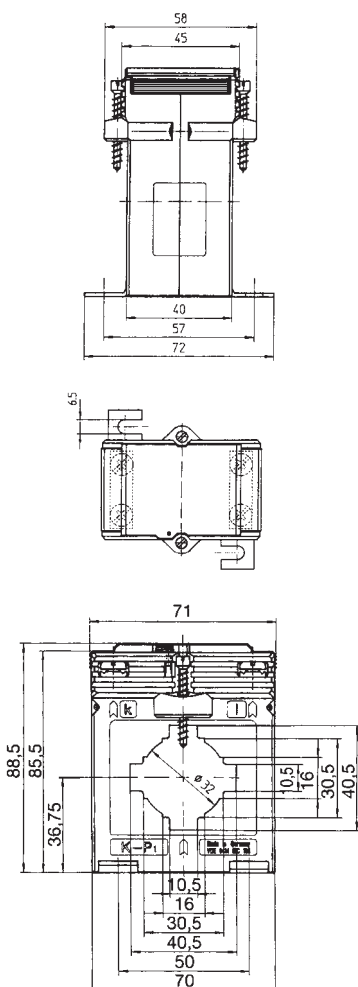




EASK 41.4

Plug-in current transformer

Approved current transformer for tariff applications



Secondary current		5A			1A	
Primary current A	Burden VA	Accuracy class			Accuracy class	
		0.5 Art.-no.	0.5s Art.-no.	0.2 Art.-no.	0.5 Art.-no.	0.2 Art.-no.
100	1.5	13540	13569	13511	13740	13711
	2.5	13541	13570		13741	
150	1.5	13542	13571	13513	13742	13713
	2.5	13543	13572	13514	13743	13714
	5	13544	13573		13744	
200	1.5	13545	13574	13516	13745	13716
	2.5	13546	13575	13517	13746	13717
	5	13548	13576	13518	13747	13718
250	1.5					13719
	2.5	13549	13578	13520	13749	13720
	5	13550	13579	13521	13750	13721
300	2.5	13551	13580	13522	13751	13722
	5	13552	13581	13523	13752	13723
	10	13553	13582		13753	
400	2.5	13554	13583	13525	13754	13725
	5	13555	13584	13526	13755	13726
	10	13556	13585	13527	13756	13727
500	2.5	13557	13586	13528	13757	13728
	5	13558	13587	13529	13758	13729
	10	13559	13588	13530	13759	13730
	15	13560	13589	13531	13760	13731
600	2.5	13561	13590	13532	13761	13732
	5	13562	13591	13533	13762	13733
	10	13563	13592	13534	13763	13734
	15	13564	13593	13535	13764	13735
750	2.5	13565	13594	13536	13765	13736
	5	13566	13595	13537	13766	13737
	10	13567	13596	13538	13767	13738
	15	13568	13597	13539	13768	

EASK 41.4 2U

Primary conductor	40 x 10 mm 2 x 30 x 5 mm
Round conductor	Ø 32 mm
Transformer width	71 mm
Snap-on mounting	Art.-no. 55012 see page 204
Sealed shutter	Art.-no. 59041 see page 205
Current transformer for industrial applications	see page 56
Protection plug-in current transformers	see page 133

Secondary current		5A	
Primary current A	Burden VA	Accuracy class	
		0.5 Art.-no.	0.5s Art.-no.
200-100	5-2.5	13598	13607
300-150	5-2.5	13599	13608
	10-5	13600	13609
400-200	5-2.5	13601	13610
	10-5	13602	13611
500-250	5-2.5	13603	13612
	10-5	13604	13613
600-300	5-2.5	13605	13614
	10-5	13606	13615