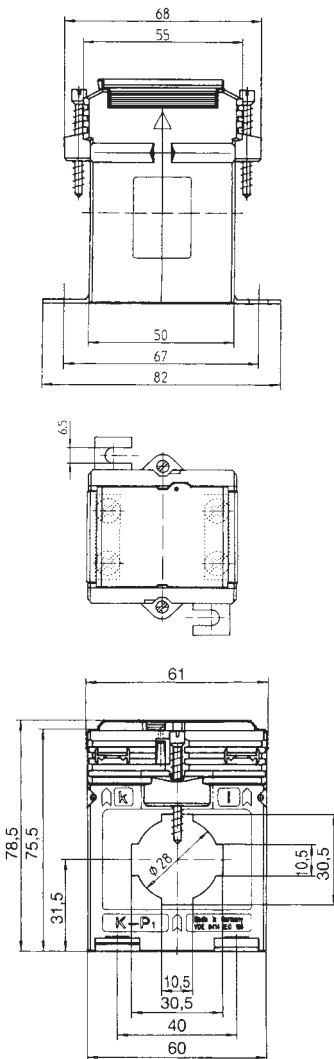




EASK 31.5

Plug-in current transformer

Approved current transformer for tariff applications



Secondary current		5A				1A	
Primary current A	Burden VA	Accuracy class				Accuracy class	
		0.5 Art.-no.	0.5s Art.-no.	0.2 Art.-no.	0.2s Art.-no.	0.5 Art.-no.	0.2 Art.-no.
75	2.5	9542	9574			9742	
100	2.5	9543	9575	9511		9743	9711
	5	9544	9576			9744	
150	2.5	9545	9577	9513	V17-1604D	9745	9713
	5	9546	9578	9514		9746	9714
200	2.5	9547	9579	9515	V17-1704D	9747	9715
	5	9548	9580	9516	V17-1704F	9748	9716
	10	9549	9581			9749	
250	2.5	9550	9582	9518	V17-1804D	9750	9718
	5	9551	9583	9519	V17-1804F	9751	9719
	10	9552	9584	9520		9752	9720
	15	9553	9585			9753	
300	2.5	9554	9586	9522	V17-1904D	9754	9722
	5	9555	9587	9523	V17-1904F	9755	9723
	10	9556	9588	9524		9756	9724
	15	9557	9589			9757	
400	2.5	9558	9590	9526	V17-2004D	9758	9726
	5	9559	9591	9527	V17-2004F	9759	9727
	10	9560	9592	9528	V17-2004H	9760	9728
	15	9561	9593			9761	
500	2.5	9562	9594	9530	V17-2104D	9762	9730
	5	9563	9595	9531	V17-2104F	9763	9731
	10	9564	9596	9532	V17-2104H	9764	9732
	15	9565	9597			9765	
600	2.5	9566	9598	9534	V17-2204D	9766	9734
	5	9567	9599	9535	V17-2204F	9767	9735
	10	9568	9600	9536	V17-2204H	9768	9736
	15	9569	9601			9769	
750	2.5	9570	9602	9538	V17-2304D	9770	9738
	5	9571	9603	9539	V17-2304F	9771	9739
	10	9572	9604	9540	V17-2304H	9772	9740
	15	9573	9605			9773	

EASK 31.5 2U

Primary conductor	30 x 10 mm 2 x 20 x 10 mm
Round conductor	Ø 28 mm
Transformer width	61 mm
Snap-on mounting	Art.-no. 55011 see page 204
Sealed shutter	Art.-no. 59041 see page 205
Current transformer for industrial applications	see page 49
Protection plug-in current transformers	see page 127

Secondary current		5A	
Primary current A	Burden VA	Accuracy class	
		0.5 Art.-no.	0.5s Art.-no.
200-100	5-2.5	9606	9616
	10-5	9607	
300-150	5-2.5	9608	9618
	10-5	9609	9619
400-200	5-2.5	9610	9620
	10-5	9611	9621
500-250	5-2.5	9612	9622
	10-5	9613	9623
600-300	5-2.5	9614	9624
	10-5	9615	9625