

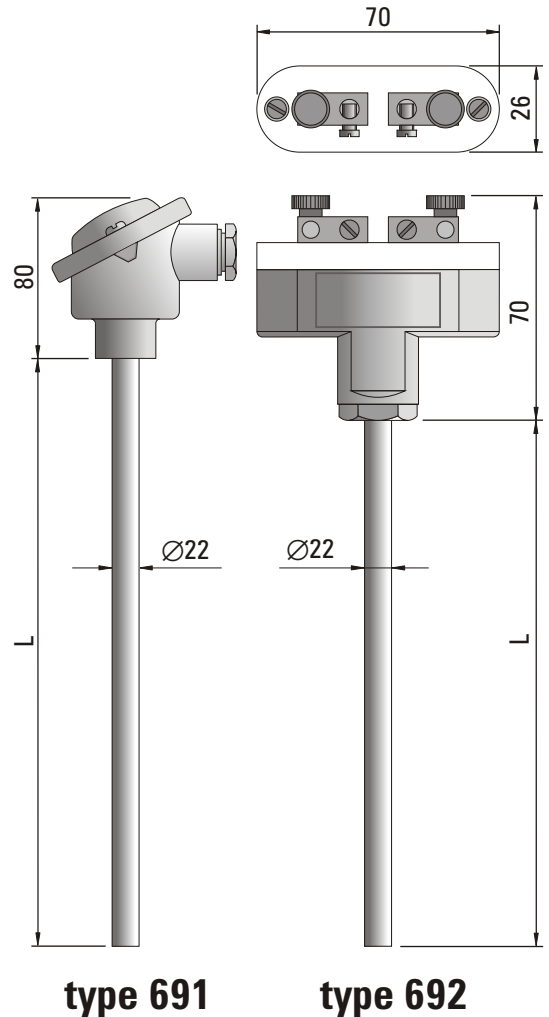
TEMPERATURE SENSOR

type 691, 692

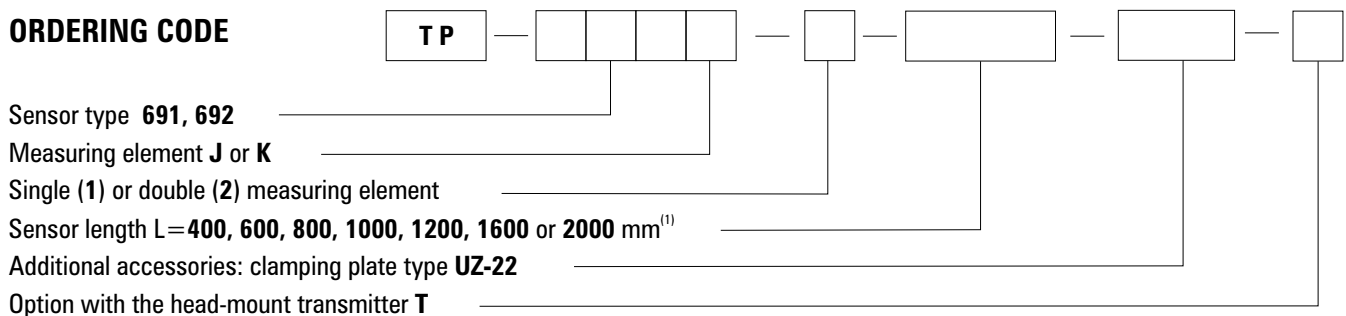
SPECIFICATION

Temperature range	-40°C...+700°C	(J)
	-40°C...+1100°C	(K)
Measuring element	thermocouple Fe-CuNi	(J)
	thermocouple NiCr-NiAl	(K)
Class of processing element	2 ⁽¹⁾	
Measuring junction	insulated ⁽¹⁾	
Sheath material	heat-resistant steel 1.4749 ⁽²⁾	
Outer sheath diameter	Ø22 mm	
Connection head type	B or DA ⁽³⁾ , oval opened	
Head operating temperature	-40°C...+100°C	
Additional accessories	temperature transmitter clamping plate type UZ compensation cable	

⁽¹⁾ Other parameters according to customer requirements
⁽²⁾ Sheath made of steel 1.4762 on demand
⁽³⁾ Connection head with protection class IP65 or acid resistant on demand



ORDERING CODE



Example for order: TP-691K-1-800 sensor with single thermocouple NiCr-NiAl (K) of outer diameter Ø = 22 mm and length L = 800 mm.
 TP-691K-1-800-T; TCH-2170-K sensor with the head-mount transmitter type TCH-2170-K.