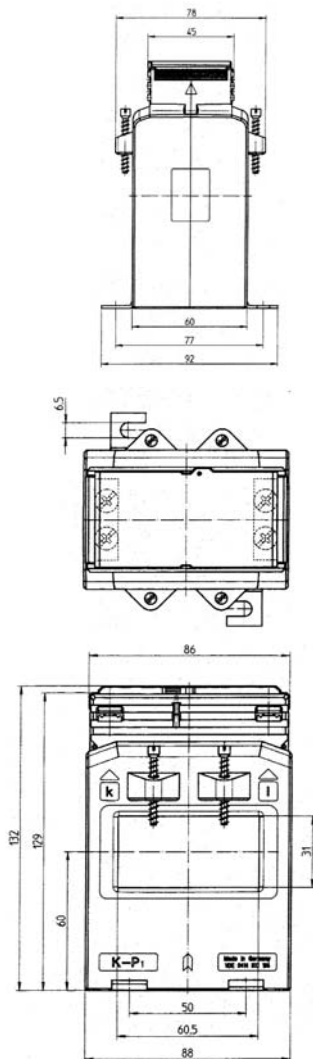




# EASK 63.6

## Plug-in current transformer

Approved current transformer for tariff applications



Secondary current		5A			1A	
Primary current A	Burden VA	Accuracy class			Accuracy class	
		0.5	0.5s	0.2	0.5	0.2
		Art.-no.	Art.-no.	Art.-no.	Art.-no.	Art.-no.
250	2.5	85558	85602	85513	85758	85713
	5	85559	85603		85759	
300	2.5	85560	85604	85515	85760	85715
	5	85561	85605	85516	85761	85716
	10	85562	85606		85762	
400	2.5	85563	85607	85518	85763	85718
	5	85564	85608	85519	85764	85719
	10	85565	85609	85520	85765	85720
500	2.5	85566	85610	85521	85766	85721
	5	85567	85611	85522	85767	85722
	10	85568	85612	85523	85768	85723
	15	85569	85613		85769	
600	2.5	85570	85614	85525	85770	85725
	5	85571	85615	85526	85771	85726
	10	85572	85616	85527	85772	85727
	15	85573	85617	85528	85773	85728
750	5	85574	85618	85530	85774	85730
	10	85575	85619	85531	85775	85731
	15	85576	85620	85532	85776	85732
	30	85577	85621		85777	
1000	5	85578	85622	85534	85778	85734
	10	85579	85623	85535	85779	85735
	15	85580	85624	85536	85780	85736
	30	85581	85625		85781	
1200	5	85582	85626	85538	85782	85738
	10	85583	85627	85539	85783	85739
	15	85584	85628	85540	85784	85740
	30	85585	85629		85785	
1250	5	85586	85630	85542	85786	85742
	10	85587	85631	85543	85787	85743
	15	85588	85632	85544	85788	85744
	30	85589	85633		85789	
1500	5	85590	85634	85546	85790	85746
	10	85591	85635	85547	85791	85747
	15	85592	85636	85548	85792	85748
	30	85593	85637		85793	

Primary conductor	60 x 30 mm
Round conductor	Ø 30 mm
Transformer width	88 mm
Snap-on mounting	-
Sealed shutter	<b>Art.-no. 59042</b> see page 205
Current transformer for industrial applications	see page 74
Protection plug-in current transformers	see page 152