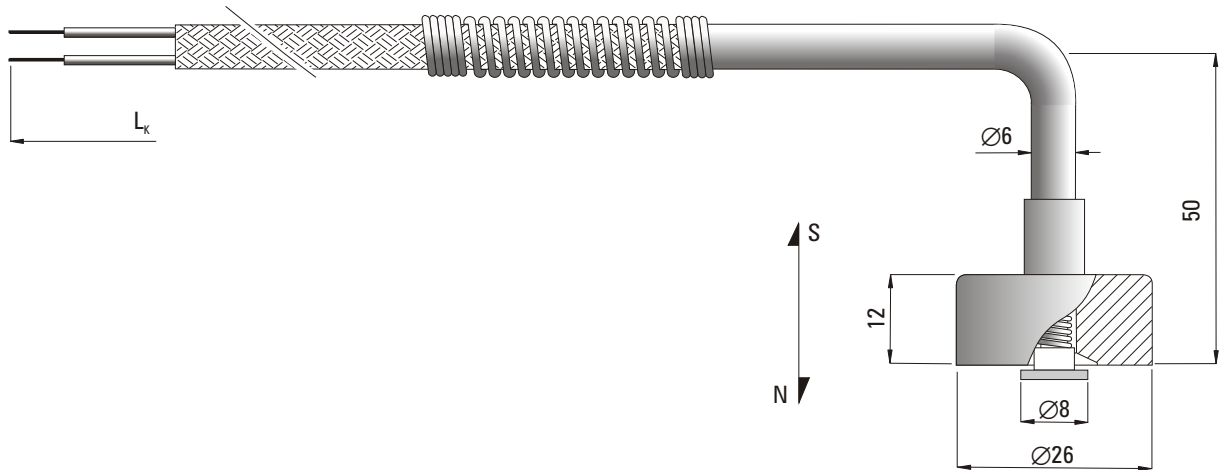


TEMPERATURE SENSOR

type 384



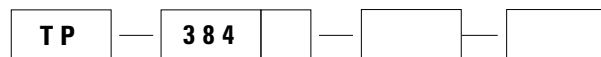
SPECIFICATION

| | |
|------------------------|---|
| Application | surface temperature measurement of blocks, parts of machinery or construction elements made from magnetic materials |
| Temperature range | 0°C... +400°C |
| Measuring element | thermocouple Cu-CuNi (T) thermocouple Fe-CuNi (J) thermocouple NiCr-NiAl (K) |
| Class of thermocouple | 2 |
| Measuring junction | grounded |
| Magnetic material | Alnico |
| Sheath material | steel 1.4541 |
| Cable insulation | fibre glass and steel braid ⁽²⁾ |
| Additional accessories | plug type MT |

⁽¹⁾ Other parameters according to customer requirements

⁽²⁾ Other insulation of the cable: PVC, silicon, teflon, stainless steel armoured sheath on demand

ORDERING CODE



Measuring element **T, J, K**

Cable length $L_k = 0,5, 1,5$ or $2,5$ m ⁽¹⁾

Additional accessories: plug type **MT**

Example for order: TP-384J-1,5 thermocouple sensor Fe-CuNi (J), length of the cable $L_k = 1,5$ m.