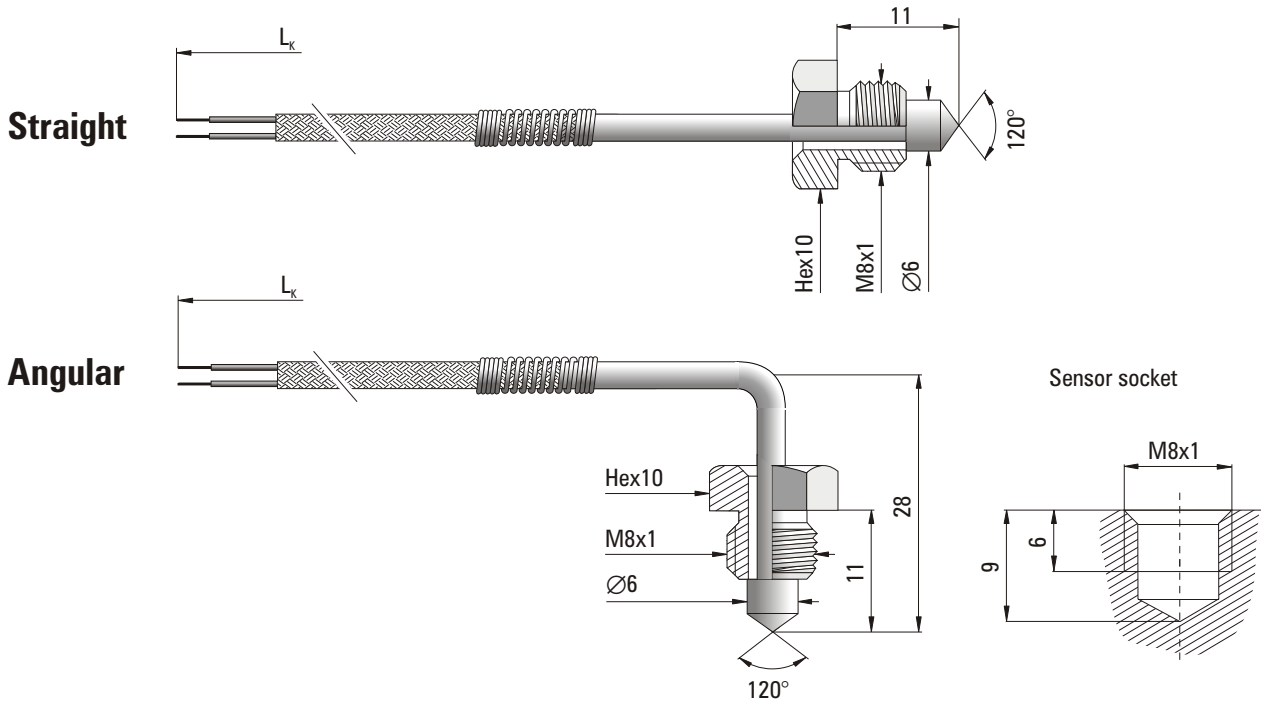


TEMPERATURE SENSOR

type 376



SPECIFICATION

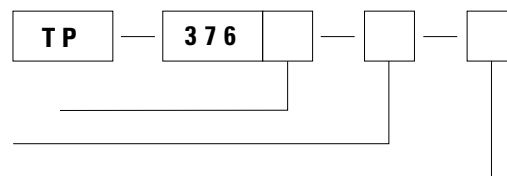
Application	temperature measurement of feed cylinders extruding presses and injection molds
Temperature range	-40°C... +500°C
Measuring element	thermocouple Fe-CuNi (J) thermocouple NiCr-NiAl (K) platinum resistor (Pt100)
Measuring junction	insulated ⁽¹⁾
Class of processing element	2 (B) ⁽¹⁾
Sheath material	steel 1.4541
Cable insulation	fiber glass and steel braid ⁽²⁾

⁽¹⁾ Other parameters according to customer requirements

⁽²⁾ Other cable insulation: PVC, silicon, PTFE, stainless steel armored sheath on demand

ORDERING CODE

Measuring element **J, K or Pt100**
 Length of the cable $L_k = 0,5, 1,5$ or $2,5$ m ⁽³⁾
 Option: straight **(P)**, angular **(K)**



Example for order: TP-376J-1,5-K thermocouple sensor Fe-CuNi (J) with cable of length $L_k = 1,5$ m, angular option.