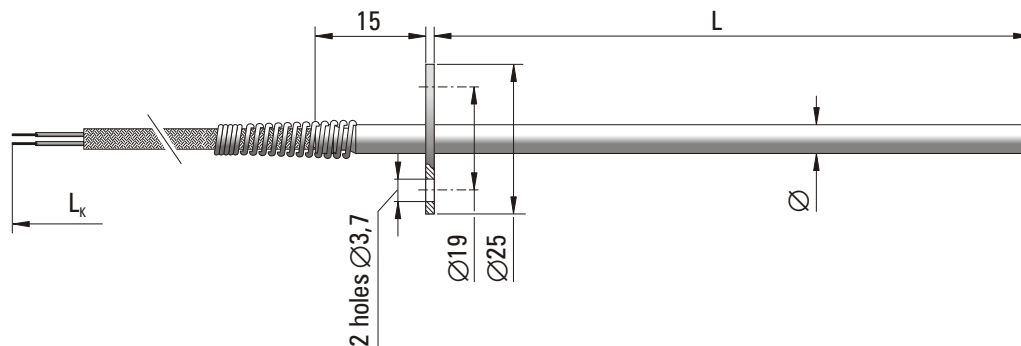


TEMPERATURE SENSOR

type 364



SPECIFICATION

Application	temperature measurement of air in ventilation ducts and systems
Temperature range	-40°C... +250°C
Measuring element	platinum resistor (Pt100)⁽¹⁾ platinum resistor (Pt500) platinum resistor (Pt1000) thermocouple Cu-CuNi (T) thermocouple Fe-CuNi (J) thermocouple NiCr-NiAl (K)
Measuring junction	insulated ⁽²⁾
Class of processing element	2 (B) ⁽²⁾
Sheath material	steel 1.4541
Sheath outer diameter Ø	3, 4, 5 or 6 mm ⁽²⁾
Sensor length L	50 mm...1000 mm ⁽²⁾
Length of the cable L _k	0,15 m...2,5 m ⁽²⁾

⁽¹⁾ Ni100, Ni1000 on demand

⁽²⁾ Other parameters according to customer requirements

ORDERING CODE



Measuring element **Pt100, Pt500, Pt1000, J, K, T** ⁽¹⁾

Sheath outer diameter Ø = **3, 4, 5 or 6 mm** ⁽²⁾

Sensor length L = **50 mm ... 1000 mm** ⁽²⁾

Length of the cable L_k = **0,15 m ... 2,5 m** ⁽²⁾

Example for order:

TP-364Pt100-3-150-0,5 Pt100 resistance sensor of outer diameter Ø = 3 mm, length L = 150 mm and length of the cable L_k = 0,5 m.