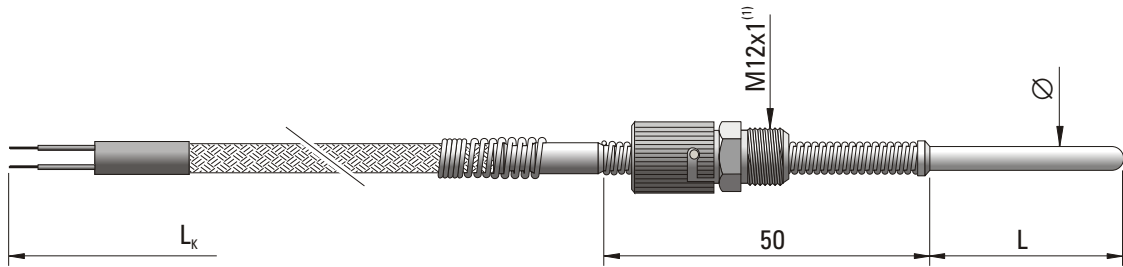
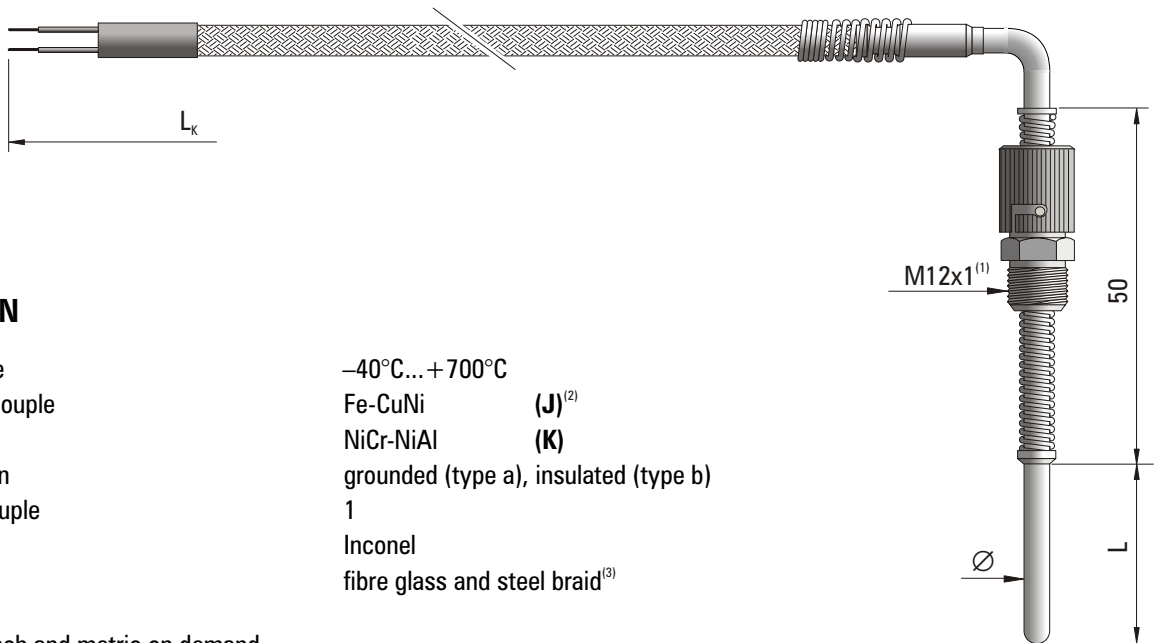


TEMPERATURE SENSOR

type 351



type 352



SPECIFICATION

Temperature range	-40°C...+700°C
Sheathed thermocouple	Fe-CuNi (J) ⁽²⁾ NiCr-NiAl (K)
Measuring junction	grounded (type a), insulated (type b)
Class of thermocouple	1
Sheath material	Inconel
Cable insulation	fibre glass and steel braid ⁽³⁾

⁽¹⁾ Other threads inch and metric on demand

⁽²⁾ Pt100, Pt500, Pt1000, Ni100, Ni1000 on demand

⁽³⁾ Other cable insulation: PVC, silicon, PTFE, stainless steel armored sheath on demand

⁽⁴⁾ Other parameters according to customer requirements

ORDERING CODE



Sensor type **351, 352**

Measuring element **J** or **K**⁽²⁾

Measuring junction **a** or **b**

Sheath outer diameter $\varnothing = 1,5, 2, 3, 4,5$ or $6 \text{ mm}^{(4)}$

Sensor length $L = 20 \dots 200 \text{ mm}^{(4)}$

Length of compensation cable $L_k = 0,5 \dots 5,0 \text{ m}^{(4)}$

Example for order:

TP-351J-a-2-150-1,5 sheathed thermocouple sensor Fe-CuNi (J) with measuring junction grounded (type a) of outer diameter $\varnothing = 2 \text{ mm}$, length $L = 150 \text{ mm}$ and length of compensation cable $L_k = 1,5 \text{ m}$.